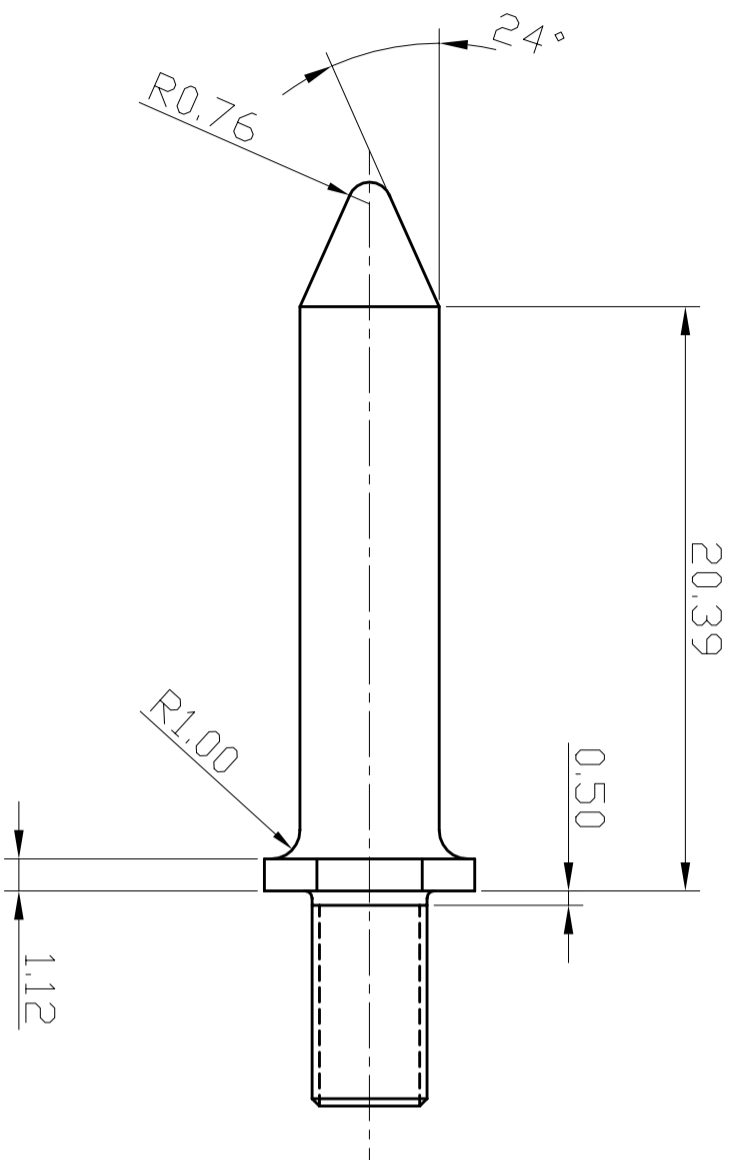


| REV. | DESCRIPTION | DATE     | APPD.  |
|------|-------------|----------|--------|
| X1   | NEW RELEASE | 11/16/10 | SEAWEN |
| A    | ECN-210169  | 6/17/13  |        |



- 備注:
1. 材質:不銹鋼.
  2. 表面處理: 純化處理.
  3. 推薦PCB孔徑尺寸4.10±0.08mm.
  4. 零件料號說明:

D 5 0 \* 1 0 0 0 0 6 6

|   |       |
|---|-------|
| R | 保稅料件  |
| Z | 非保稅料件 |

5. 成品料號說明:

\* - 8 1 2 0 2 2 3 9 8 2 1

|   |       |
|---|-------|
| R | 保稅料件  |
| Z | 非保稅料件 |

|             |            |               |            |          |          |                        |               |
|-------------|------------|---------------|------------|----------|----------|------------------------|---------------|
| UNITS       | mm         | INCH          | CUSTOM     | DWG      | NO./REV. | NAME:                  | GUIDE PIN     |
| MATERIAL    | ** ** *    | FINISH        | ** ** *    | QUANTITY | ** ** *  | UNIVERSAL POWER MODULE |               |
|             | X ± 0.15   |               | X° ± 1°    |          |          | PART NO:               | D50*-1000-066 |
|             | XX ± 0.10  |               | X° ± 0.5°  |          |          | APPD:                  |               |
|             | XXX ± 0.05 |               | XX° ± ** * |          |          | CHKD:                  |               |
|             |            |               |            |          |          | DRAWN:                 |               |
| D50*1000066 |            | *-81202239821 |            | PART P/N |          | Ass'y P/N              |               |
| PART P/N    |            | Ass'y P/N     |            | TITLE:   |          | PART DWG               |               |
| D50*1000066 |            | *-81202239821 |            | DWG NO:  |          | 500-0000-066           |               |
| SCALE: 1/1  |            | SHEET: 1/1    |            | REV.:    |          | A                      |               |