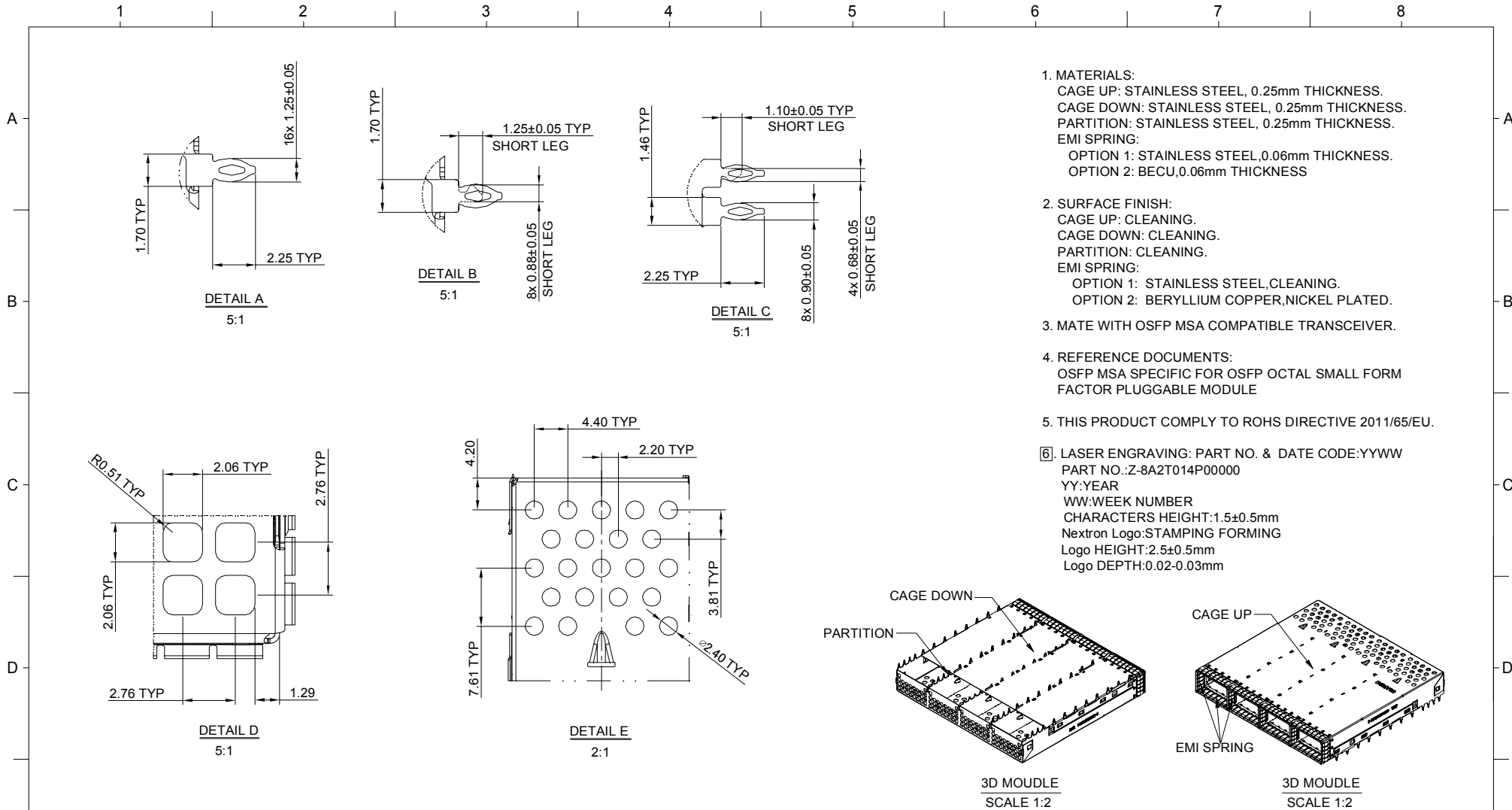


X1	NEW PRODUCT	2020/02/24
REV.	DESCRIPTION	DATE

UNITS: ■ mm □ inch	SIZE A3	NAME: CAGE ASSEMBLY, 1X4, OSFP
GENERAL TOLERANCE: (UNLESS SPECIFIED)		PART NO: Z-8A2T*14P0000*
4 PLACE ± **	mm ± **	inch ± **
3 PLACE ± 0.1	mm ± **	inch ± **
2 PLACE ± 0.2	mm ± **	inch ± **
1 PLACE ± 0.3	mm ± **	inch ± **
ANGLES X°± 2°		
APPD: Ayong曾定勇	2020/02/25	
CHKD: Ayong曾定勇	2020/02/25	
DRAW:		
DESIGN: Cody陳俊康	2020/02/25	

 NEXTRONICS ENGINEERING CORP.		
TITLE: CUSTOMER DWG.		
DWG NO:		C
010-0000-Q66		
SCALE	SHEET	REV.
1/1	1/5	X1

CONFIDENTIAL: THIS DOCUMENT CONTAINED THE INFORMATION IS PROPRIETARY AND CONFIDENTIAL TO Nextronics Engineering Corp. NO PERSON IS ALLOWED TO USE COPY, PUBLISH OR OTHERWISE DISCLOSE THE INFORMATION TO OTHERS, UNLESS BY THE PRIOR WRITTEN EXPRESS AUTHORIZATION OF Nextronics Engineering Corp. (C)COPYRIGHT- Nextronics Engineering Corp.



1. MATERIALS:
 CAGE UP: STAINLESS STEEL, 0.25mm THICKNESS.
 CAGE DOWN: STAINLESS STEEL, 0.25mm THICKNESS.
 PARTITION: STAINLESS STEEL, 0.25mm THICKNESS.
 EMI SPRING:
 OPTION 1: STAINLESS STEEL, 0.06mm THICKNESS.
 OPTION 2: BECU, 0.06mm THICKNESS
2. SURFACE FINISH:
 CAGE UP: CLEANING.
 CAGE DOWN: CLEANING.
 PARTITION: CLEANING.
 EMI SPRING:
 OPTION 1: STAINLESS STEEL, CLEANING.
 OPTION 2: BERYLLIUM COPPER, NICKEL PLATED.
3. MATE WITH OSFP MSA COMPATIBLE TRANSCEIVER.
4. REFERENCE DOCUMENTS:
 OSFP MSA SPECIFIC FOR OSFP OCTAL SMALL FORM FACTOR PLUGGABLE MODULE
5. THIS PRODUCT COMPLY TO ROHS DIRECTIVE 2011/65/EU.
6. LASER ENGRAVING: PART NO. & DATE CODE: YYWW
 PART NO.: Z-8A2T014P00000
 YY: YEAR
 WW: WEEK NUMBER
 CHARACTERS HEIGHT: 1.5±0.5mm
 Nextron Logo: STAMPING FORMING
 Logo HEIGHT: 2.5±0.5mm
 Logo DEPTH: 0.02-0.03mm

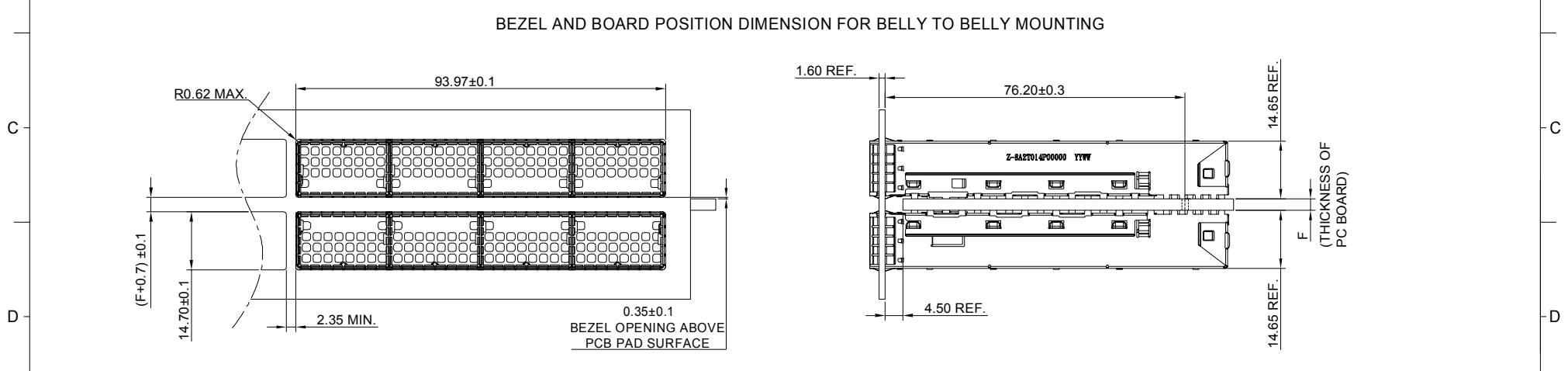
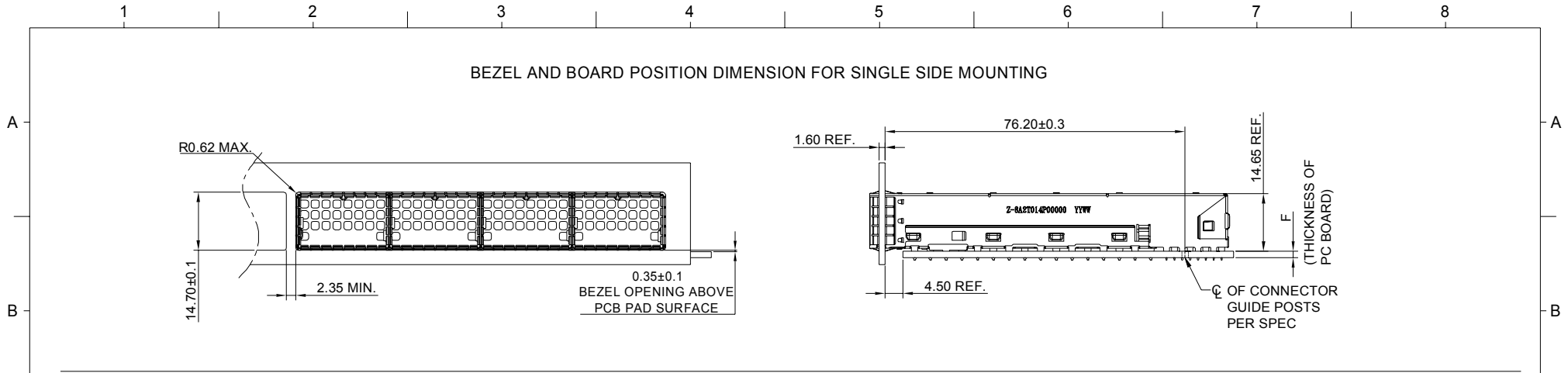


X1	NEW PRODUCT	2020/02/24
REV.	DESCRIPTION	DATE

UNITS: ■ mm □ inch	SIZE A3	NAME: CAGE ASSEMBLY, 1X4, OSFP
GENERAL TOLERANCE: (UNLESS SPECIFIED)		PART NO: Z-8A2T*14P0000*
4 PLACE ± **	mm ± **	inch ± **
3 PLACE ± 0.1	mm ± 0.2	inch ± **
2 PLACE ± 0.2	mm ± 0.2	inch ± **
1 PLACE ± 0.3	mm ± 0.2	inch ± **
ANGLES X° ± 2°		
APPD: Ayong曾定勇	2020/02/25	
CHKD: Ayong曾定勇	2020/02/25	
DRAW:		
DESIGN: Cody陳俊康	2020/02/25	

nextron [®]		
NEXTRONICS ENGINEERING CORP.		
TITLE: CUSTOMER DWG.		
DWG NO:		C
010-0000-Q66		
SCALE	SHEET	REV.
1/1	2/5	X1

CONFIDENTIAL: THIS DOCUMENT CONTAINED THE INFORMATION IS PROPRIETARY AND CONFIDENTIAL TO Nextronics Engineering Corp. NO PERSON IS ALLOWED TO USE COPY, PUBLISH OR OTHERWISE DISCLOSE THE INFORMATION TO OTHERS, UNLESS BY THE PRIOR WRITTEN EXPRESS AUTHORIZATION OF Nextronics Engineering Corp. (C) COPYRIGHT- Nextronics Engineering Corp.



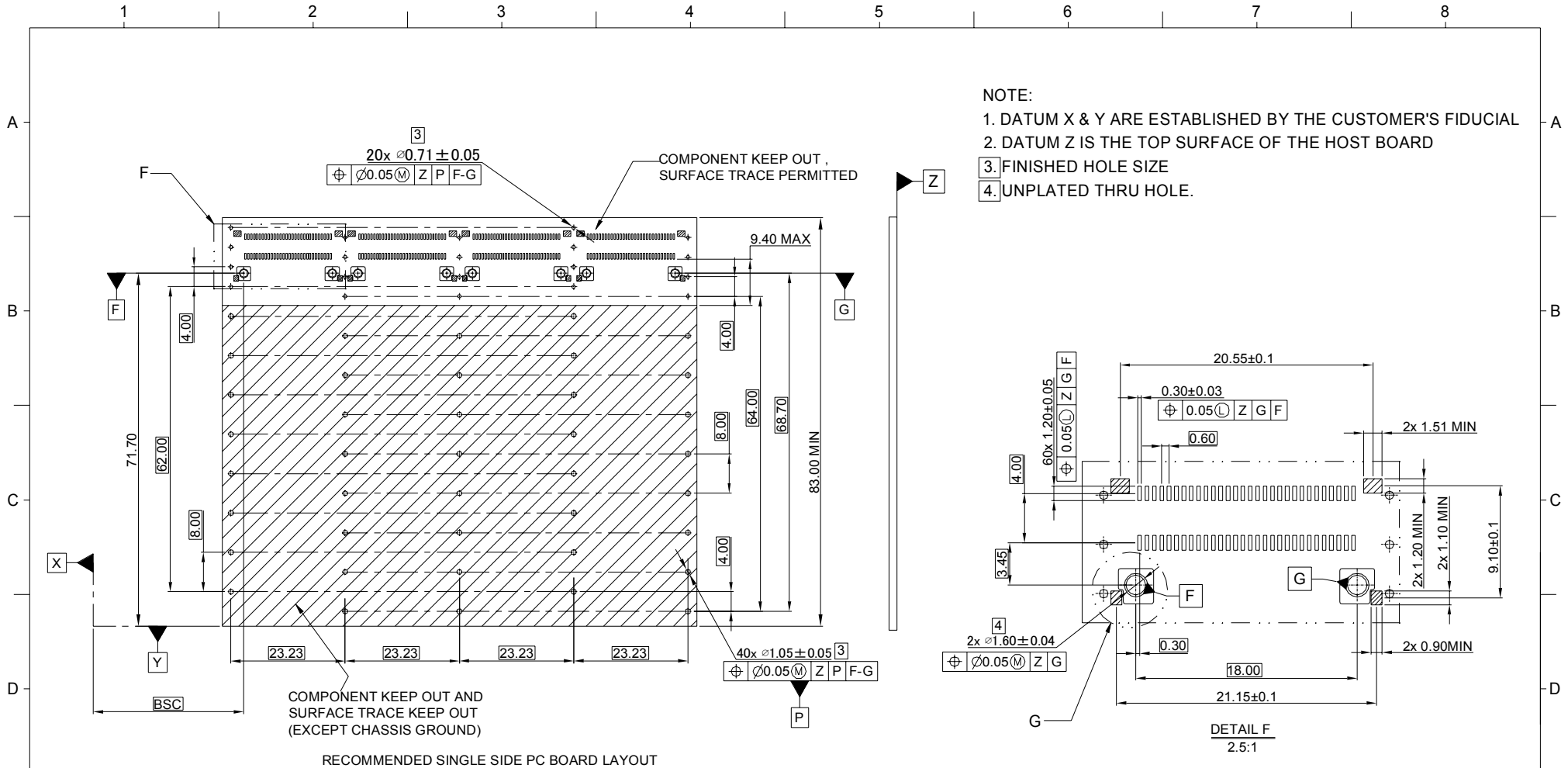
- NOTES:**
1. THE NORMAL THICKNESS OF CUSTOMER SUPPLIED PC BOARD.(DIM. "F")
 SINGLE SIDED PC BOARD THICKNESS: 1.60mm MIN.
 BELLY TO BELLY PC BOARD MIN. THICKNESS: 3.0mm MIN.
 - 2.GENERAL DIMENSIONAL TOLERANCE ±0.05mm.



X1	NEW PRODUCT	2020/02/24
REV.	DESCRIPTION	DATE

UNITS: ■ mm □ inch	SIZE A3	NAME: CAGE ASSEMBLY, 1X4, OSFP	 NEXTRONICS ENGINEERING CORP.		
GENERAL TOLERANCE: (UNLESS SPECIFIED)		PART NO: Z-8A2T*14P0000*			
4 PLACE ± **	mm ± **	inch ± **	APPD: Ayong曾定勇 2020/02/25	DWG NO: 010-0000-Q66	
3 PLACE ± 0.1	mm ± 0.1	inch ± **	CHKD: Ayong曾定勇 2020/02/25	C	
2 PLACE ± 0.2	mm ± 0.2	inch ± **	DRAW:		
1 PLACE ± 0.3	mm ± 0.3	inch ± **	DESIGN: Cody陳俊康 2020/02/25	SCALE	SHEET
ANGLES X° ± 2°				1/1	3/5
				REV.	X1

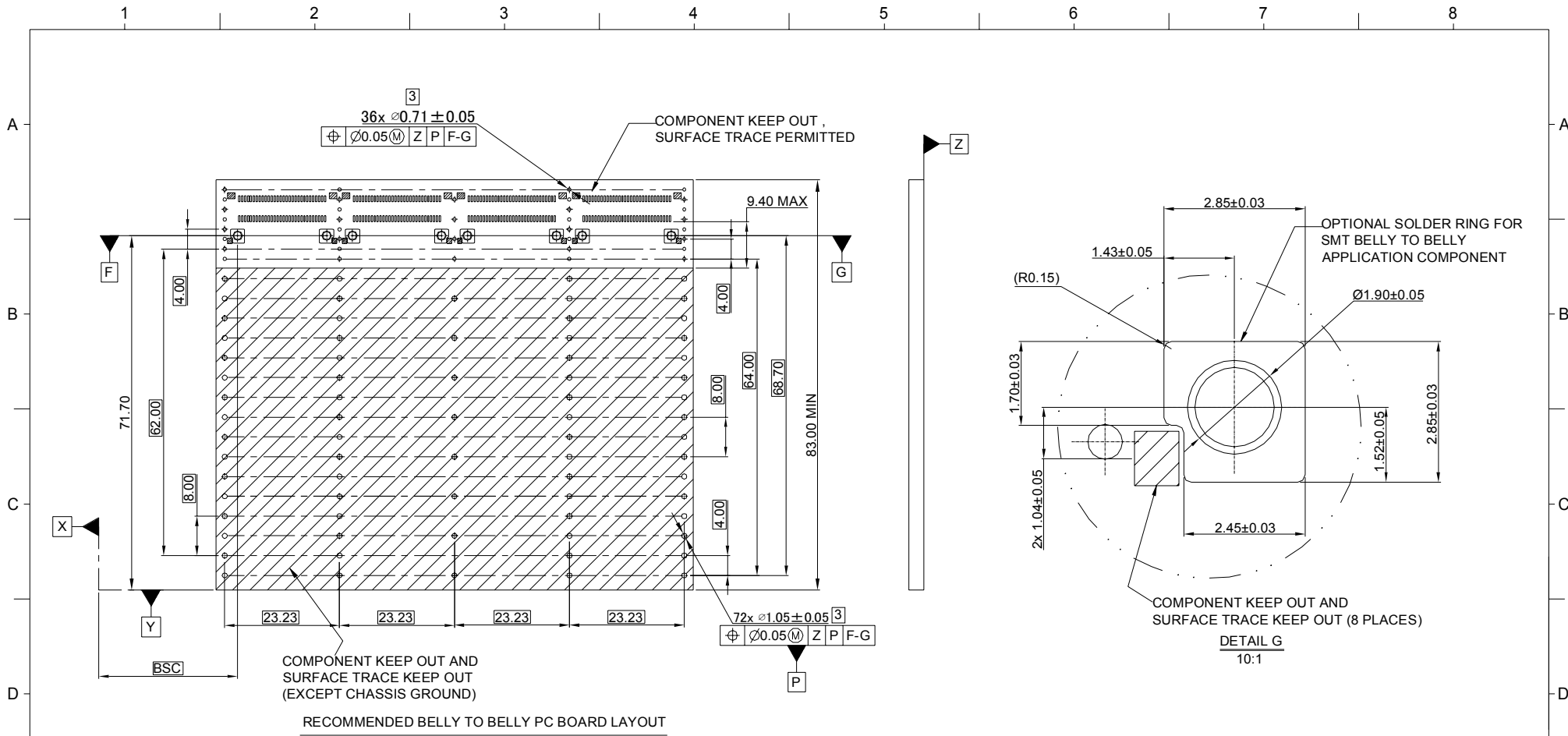
CONFIDENTIAL: THIS DOCUMENT CONTAINED THE INFORMATION IS PROPRIETARY AND CONFIDENTIAL TO Nexttronics Engineering Corp. NO PERSON IS ALLOWED TO USE COPY, PUBLISH OR OTHERWISE DISCLOSE THE INFORMATION TO OTHERS, UNLESS BY THE PRIOR WRITTEN EXPRESS AUTHORIZATION OF Nexttronics Engineering Corp. (C)COPYRIGHT- Nexttronics Engineering Corp.



X1	NEW PRODUCT	2020/02/24
REV.	DESCRIPTION	DATE

UNITS: ■ mm □ inch	SIZE A3	NAME: CAGE ASSEMBLY, 1X4, OSFP	NEXTRONICS ENGINEERING CORP.								
GENERAL TOLERANCE: (UNLESS SPECIFIED)		PART NO: Z-8A2T*14P0000*	TITLE: CUSTOMER DWG.								
4 PLACE ± **	mm inch	APPD: Ayong曾定勇 2020/02/25	DWG NO: 010-0000-Q66								
3 PLACE ± 0.1	mm inch	CHKD: Ayong曾定勇 2020/02/25	<table border="1"> <tr> <td>SCALE</td> <td>SHEET</td> <td>REV.</td> </tr> <tr> <td>5/4</td> <td>4/5</td> <td>X1</td> </tr> </table>			SCALE	SHEET	REV.	5/4	4/5	X1
SCALE	SHEET	REV.									
5/4	4/5	X1									
2 PLACE ± 0.2	mm inch	DRAW:									
1 PLACE ± 0.3	mm inch	DESIGN: Cody陳俊康 2020/02/25									
ANGLES X° ± 2°											

CONFIDENTIAL: THIS DOCUMENT CONTAINED THE INFORMATION IS PROPRIETARY AND CONFIDENTIAL TO Nextronics Engineering Corp. NO PERSON IS ALLOWED TO USE COPY, PUBLISH OR OTHERWISE DISCLOSE THE INFORMATION TO OTHERS, UNLESS BY THE PRIOR WRITTEN EXPRESS AUTHORIZATION OF Nextronics Engineering Corp. (C)COPYRIGHT- Nextronics Engineering Corp.



RECOMMENDED BELLY TO BELLY PC BOARD LAYOUT



X1	NEW PRODUCT	2020/02/24
REV.	DESCRIPTION	DATE

UNITS: ■ mm □ inch	SIZE A3	NAME: CAGE ASSEMBLY, 1X4, OSFP	 NEXTRONICS ENGINEERING CORP.								
GENERAL TOLERANCE: (UNLESS SPECIFIED)		PART NO: Z-8A2T*14P0000*	TITLE: CUSTOMER DWG.								
4 PLACE	± **	mm	APPD: Ayong曾定勇	2020/02/25	DWG NO: 010-0000-Q66						
3 PLACE	± 0.1	inch	CHKD: Ayong曾定勇	2020/02/25							
2 PLACE	± 0.2	mm	DRAW:		<table border="1"> <tr> <td>SCALE</td> <td>SHEET</td> <td>REV.</td> </tr> <tr> <td>5/4</td> <td>5/5</td> <td>X1</td> </tr> </table>	SCALE	SHEET	REV.	5/4	5/5	X1
SCALE	SHEET	REV.									
5/4	5/5	X1									
1 PLACE	± 0.3	inch	DESIGN: Cody陳俊康	2020/02/25							
ANGLES	$X^\circ \pm 2^\circ$										

CONFIDENTIAL: THIS DOCUMENT CONTAINED THE INFORMATION IS PROPRIETARY AND CONFIDENTIAL TO Nextronics Engineering Corp. NO PERSON IS ALLOWED TO USE COPY, PUBLISH OR OTHERWISE DISCLOSE THE INFORMATION TO OTHERS, UNLESS BY THE PRIOR WRITTEN EXPRESS AUTHORIZATION OF Nextronics Engineering Corp. (C)COPYRIGHT- Nextronics Engineering Corp.